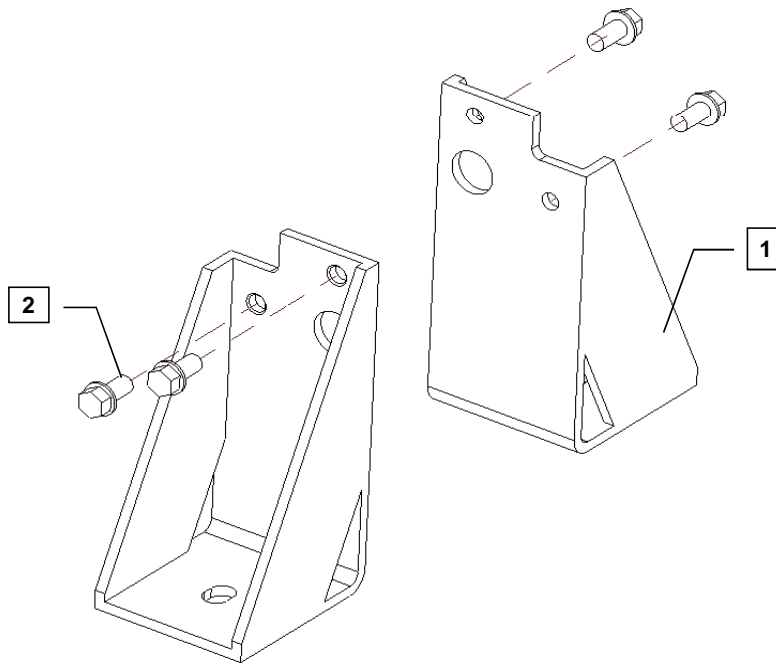




YANMAR CO., LTD.  
YANMAR AMERICA CORP.

Item	Part No.	Description	Quantity	Remarks
1	119128-08111	Mounting Foot	2	
2	26106-100202	Bolt, M10x1.5-20 (Flanged Hex Head)	4	



**MODELS**

3TNM68  
3TNM72



---

---

### Installation Instructions

---

---

The MINIMAX engine foot kit has been designed so each leg can be mounted on any engine-mounting pad. You DO NOT need a special kit for the front or the rear engine mounting pads.

Hand tighten all bolts and nuts until assembly is completed, then torque according to specifications in Table 1.

The numbers in () below reference the item numbers on page 1.

1. Install Engine Mounting Feet (1) to engine mounting pads using the M10 x 1.5 - 20 Bolts (2) provided in kit. Only two bolts are required for each foot.

**Table 1: Comply with torque standards in the table to avoid unexpected damage during installation or in the future.**

Diameter x Pitch	Kgf-m	Foot-lbf	N-m
M10 x 1.50	4.5 ~ 5.5	32.5 ~ 39.8	44.0 ~ 54.0