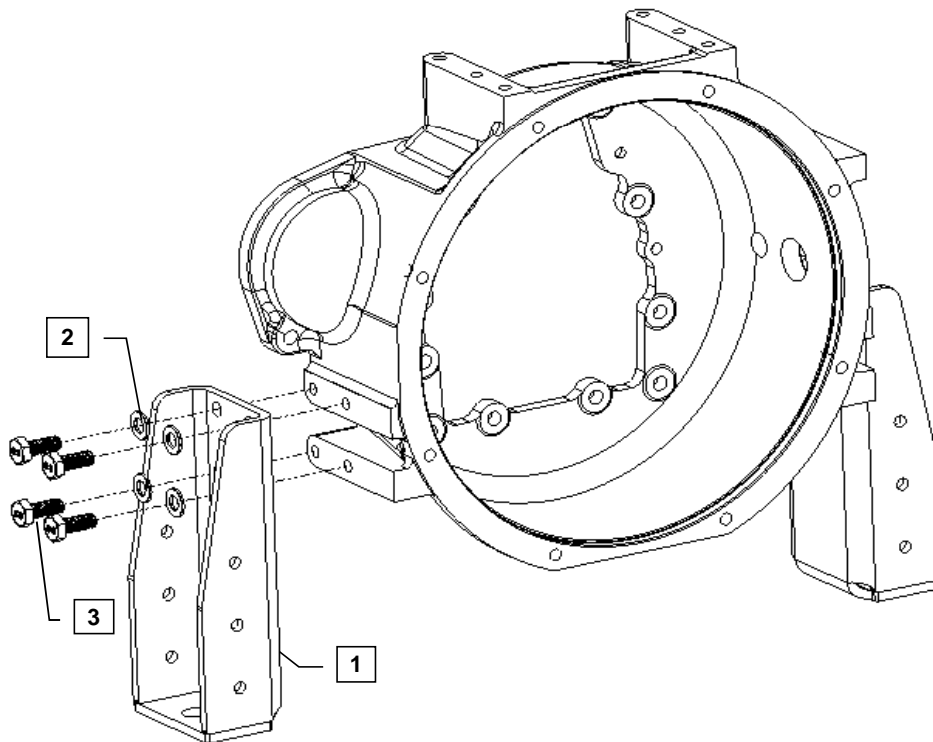




YANMAR CO., LTD.
YANMAR AMERICA CORP.

Item	Part No.	Description	Quantity	Remarks
1	129689-08020	Leg, Flywheel Housing Mount	2	
2	22137-100000	Washer, M10 (Plain)	8	
3	26107-100252	Bolt, M10x1.5-25 (Flanged Hex Head)	8	



MODELS

3TNV84T
3TNV88
4TNV84T
4TNV88



Installation Instructions

The flywheel housing leg kit has been designed so each leg can be mounted on the flywheel housing mounting pads only.

Hand tighten all bolts and nuts until assembly is completed, then torque according to specifications in Table 1.

The numbers in () below reference the item numbers on page 1.

1. Install Mounting Legs (1) to flywheel housing mounting pads using Washer (2) and M10 x 1.5 - 25 bolt (3) provided in kit. Bolts used to mount shipped engines are the same size but not long enough and should not be used.

Table 1: Comply with torque standards in the table to avoid unexpected damage during installation or in the future.

Diameter x Pitch	Kgf-m	Foot-lbf	N-m
M8 x 1.25	1.5 ~ 2.9	10.6 ~ 20.9	14.4 ~ 28.3
M10 x 1.50	4.5 ~ 5.5	32.5 ~ 39.8	44.0 ~ 54.0
M12 x 1.75	8.0 ~ 10.0	57.8 ~ 72.3	78.4 ~ 98.0