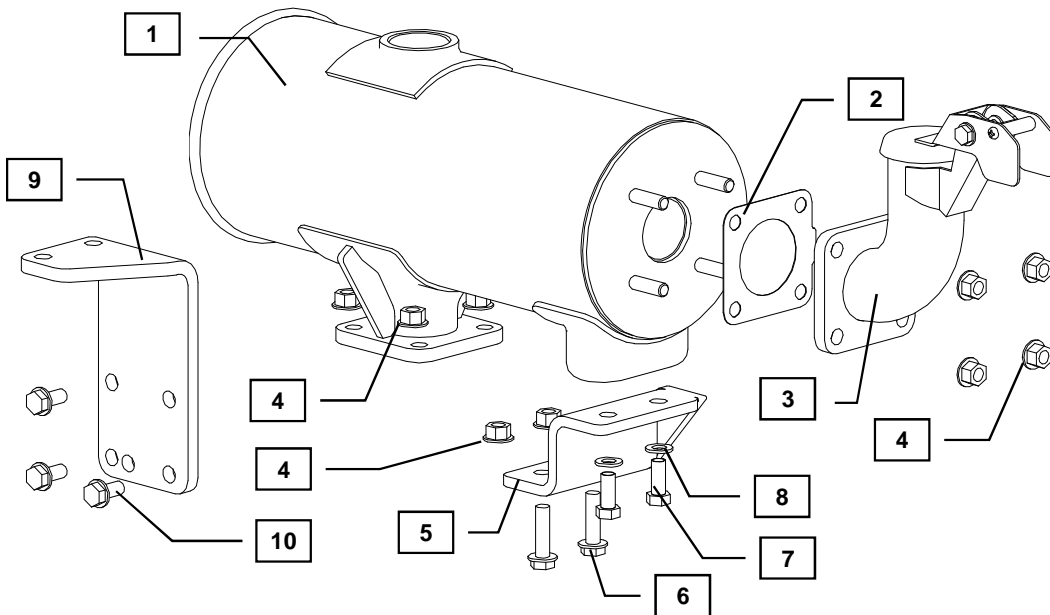




Item	Part No.	Description	Quantity	Remarks
1	119717-13500	Muffler	1	
2	119515-13200	Gasket, Muffler	1	
3	129005-13600	Elbow w/ raincap	1	
4	26306-080002	Nut, M8 X 1.25 (Flanged hex head)	10	
5	119749-13610	Bracket, Muffler to exhaust manifold	1	
6	26106-080302	Bolt, M8 X 1.25 - 30 (Flanged hex head)	2	
7	26116-080202	Bolt, M8 X 1.25 - 20 (Flanged hex head)	2	
8	22117-080000	Washer, M8 (Plain)	2	
9	119749-13620	Bracket, Muffler to cylinder head	1	
10	26106-080162	Bolt, M8 x 1.25 - 16 (Flanged hex head)	3	



MODELS

2TNV70
3TNV70
3TNV76

Notes: Parts code is not assigned to non-serviceable component parts.

Remarks:



Installation Instructions

WARNING: DO NOT INSTALL THE KIT WHILE THE ENGINE IS STILL HOT

Hand tighten all bolts and nuts until the assembly is completed, then torque to the specifications in Table 1 below.

NOTE: For 2TNV70 models, the muffler must be remotely installed. Use the KM9 adaptor kit for this purpose.

1. Place the exhaust gasket that was included with the engine onto the exhaust manifold flange.
2. Select the appropriate mounting bracket, (5) or (9), to achieve the desired muffler orientation.
 - a. Bracket (5) orients the exhaust outlet towards the flywheel.
 - i. Fit bracket (5) to the exhaust manifold with the M8x1.25 - 30 flange bolts (6) and the M8x1.25 flange nuts.
 - b. Bracket (9) orients the exhaust outlet towards the radiator. This orientation will require the use of an additional muffler kit KM8, which will prevent muffler radiator interference.
 - i. Remove the lifting eye that is closest to the alternator.
 - ii. Fit bracket (9) to the cylinder head using the M8x1.25 - 16 flange bolts (10).

NOTE: Not all mounting holes on the bracket will be used. For 3TNV76 only two holes on the left side of the bracket will be used. On the 3TNV70 three holes will be used, two on the right side, and one on the bottom.
3. Position the muffler on the exhaust manifold flange studs using the M8x1.25 flange nuts.
4. Fasten the muffler (1) to the bracket chosen in step 2 using the M8x1.25 - 20 hexagon head bolts (7) and M8 washers (8).
5. Ensure proper alignment of muffler (1) and the chosen bracket, torque to specification listed below.
6. Place the gasket (2) included with the muffler kit onto the studs of the muffler along with the elbow with rain cap (3) and secure with the M8x1.25 flange nuts.

Ensure all bolts are torqued to the specifications set forth in the table below.

Table 1: Proper torque specifications for bolts and nuts.

Diameter x Pitch	Kgf-m	Foot-lbf	N-m
M8 x 1.25	1.5 ~ 2.9	10.6 ~ 20.9	14.4 ~ 28.3