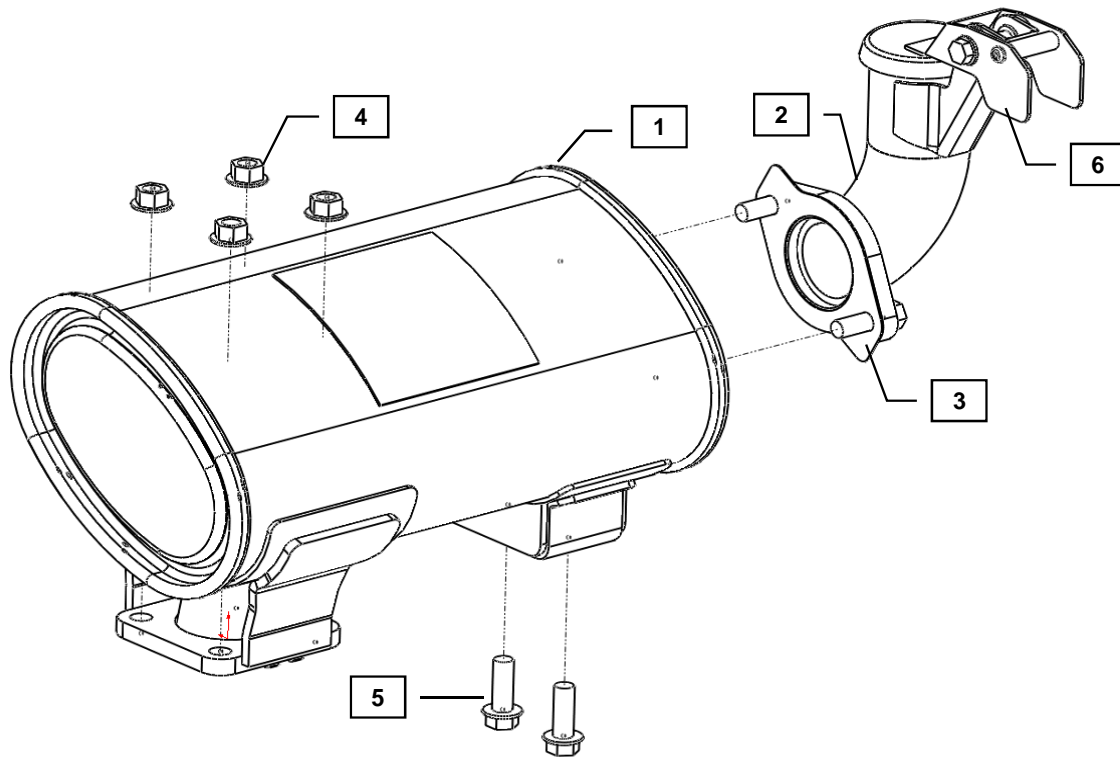




YANMAR CO., LTD.
YANMAR AMERICA CORP.

Item	Part No.	Description	Quantity	Remarks
1	119128-13500	Muffler	1	
2	119128-13560	Tail Pipe	1	
3	129107-13550	Gasket, Tail Pipe	1	
4	26306-080002	Nut, M8 X 1.25 (Flanged hex head)	4	
5	26106-080252	Bolt, M8 X 1.25 - 25 (Flanged hex head)	4	
6	119749-13600	Outlet Flap	1	



MODELS

3TNM68

3TNM72



Installation Instructions

WARNING: DO NOT INSTALL KIT WHILE THE ENGINE IS STILL HOT!

Hand tighten all bolts and nuts until assembly is completed, then torque according to specifications in Table 1.

1. Place the exhaust gasket included with the engine onto the exhaust manifold stud bolts.
2. Place the Silencer (1) onto the exhaust manifold bolts with the M8 Flange Nuts provided (6).
3. Insert the M8x1.25 - 25 Bolts (5) through the exhaust manifold support flange and into the threaded holes in the exhaust silencer.
4. Torque all exhaust silencer bolts to the specification provided in the chart below.
5. Fasten the Tail Pipe (2) to the exhaust Silencer (1) with the Gasket (3) provided. Torque the M8x1.25 - 25 Bolts (5) according to the torque table.
6. Fasten the Rain Cap (6) to the Tail Pipe with the hardware included. The Rain Cap (6) may be orientated as desired.

Table 1: Proper torque specifications for bolts and nuts.

Diameter x Pitch	Kgf-m	Foot-lbf	N-m
M8 x 1.25	1.5 ~ 2.9	10.6 ~ 20.9	14.4 ~ 28.3