

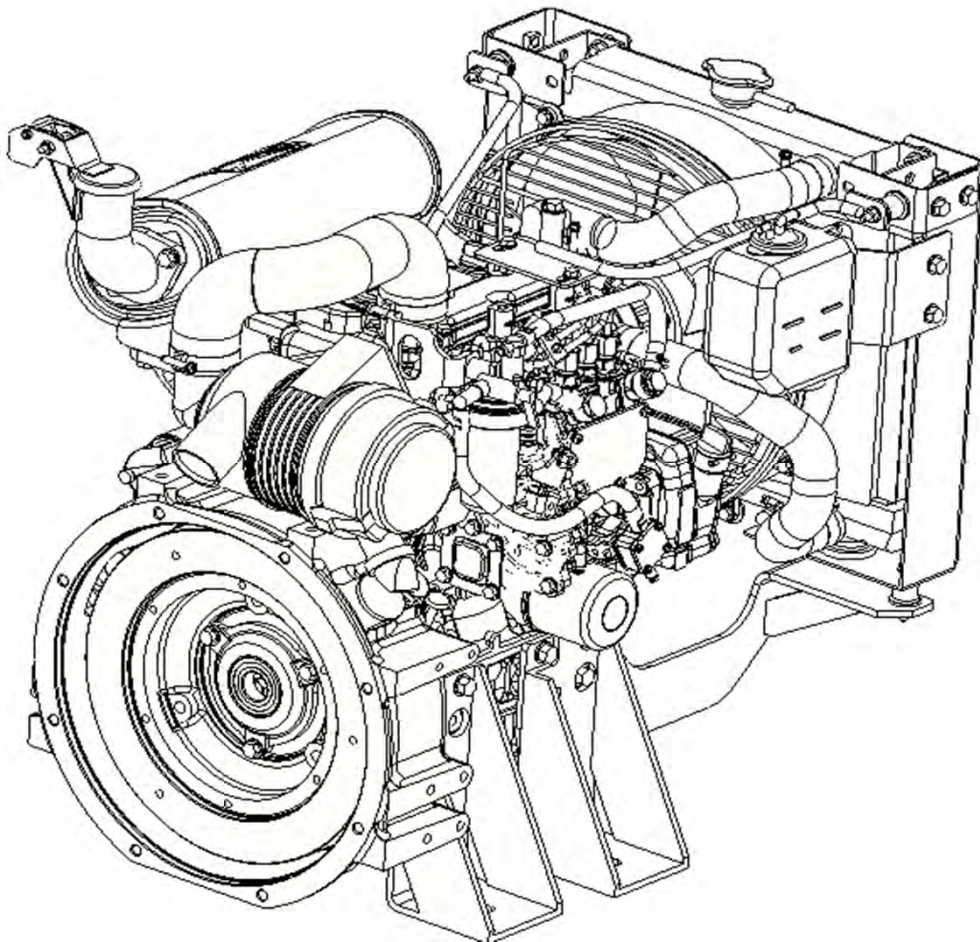


YANMAR CO., LTD.
YANMAR AMERICA CORP.

Item	Lev.	O	Part No.	Description	Quantity	Remarks
1	--		119128-07000	Label, Yanmar	1	
2	--		119128-44511	Radiator CMP	1	
3	---		119128-44540	Radiator Assembly	1	
4	----		119128-44530	Shroud	1	
5	----		119128-44550	Gasket	4	
6	----		121250-44590	Clip, Hose	2	
7	----		129107-44590	Cap, Radiator	1	
8	----		121492-59090	Pipe, Fuel Oil L650	1	
9	----		26014-060122	Bolt, M8 X 1.25 - 12 (Flanged hex head)	4	
10	---		119128-44640	Rubber, Cushion	2	
11	---		119255-44660	Rubber, Radiator	2	
12	---		119128-44801	Screen, Radiator	1	
13	---		119128-44890	Spacer, Radiator	2	
14	---		119028-44930	Stay C, Radiator	2	
15	---		119128-44971	Bracket C, Radiator	1	
16	---		129461-59580	Cap, Fuel Oil	1	
17	---		23000-013000	Clamp, Hose 13	1	
18	---		26106-060122	Bolt, M6 X 1.25 - 12 (Flanged hex head)	6	
19	---		26106-080122	Bolt, M8 X 1.25 - 12 (Flanged hex head)	4	
20	---		26106-080202	Bolt, M8 X 1.25 - 20 (Flanged hex head)	2	
21	---		26366-060002	Nut, M6 X 1.0 (Flanged hex head)	2	
22	---		26366-080002	Nut, M8 X 1.25 (Flanged hex head)	2	
23	--		121468-44520	Tank Assy, Sub	1	
24	----	X	121470-44530	Body, Sub Tank	1	
25	----		121450-44531	Cap	1	
26	----		124450-44560	Retainer, Pipe	1	
27	----		121470-44581	Gasket	1	
28	----		23065-070130	Hose, 7 x 130	1	
29	--		119128-44561	Guard, Fan	1	
30	--		119128-44640	Rubber, Cushion	2	
31	--		119128-44810	Stay A, Radiator	1	
32	--		119128-44820	Stay B, Radiator	1	
33	--		119128-44901	Bracket, Sub Tank	1	
34	--		119128-44950	Bracket, Int. Radiator	1	
35	--		119128-44960	Bracket, Ex. Radiator	1	
36	--		119128-49010	CW-T (A)	1	
37	--		119128-49020	CW-T (B)	1	
38	--		119128-77402	Cover, Alternator	1	
39	--		119128-08111	Mounting Foot	2	
40	-		26106-100202	Bolt, M10 X 1.5 - 20 (Flanged hex head)	4	
41	-		26106-100252	Bolt, M10 X 1.5 - 25 (Flanged hex head)	4	
42	-		23000-035000	Clamp, Hose 35	4	
43	-		26106-060162	Bolt, M6 X 1 - 16 (Flanged hex head)	9	
44	-		26106-080162	Bolt, M8 X 1.25 - 16 (Flanged hex head)	2	
45	-		26106-080122	Bolt, M8 X 1.25 - 12 (Flanged hex head)	4	
46	-		26306-060002	Nut, M6 X 1.0 (Flanged hex head)	6	



YANMAR CO., LTD.
YANMAR AMERICA CORP.



MODELS
3TNM68

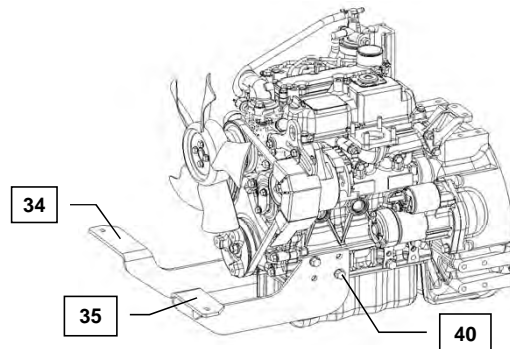


Installation Instructions

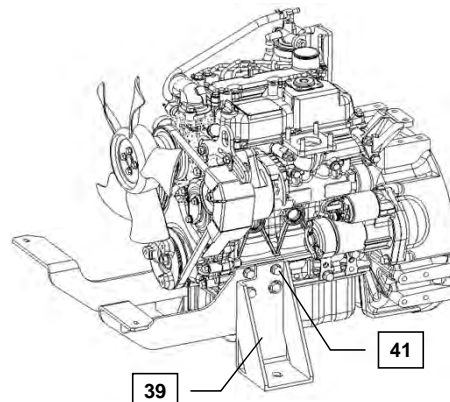
Hand tighten all bolts and nuts until assembly is completed, then torque according to specifications in Table 1. The numbers in () represent the item numbers.

WARNING: DO NOT RUN ENGINE WITHOUT COOLANT IN RADIATOR.

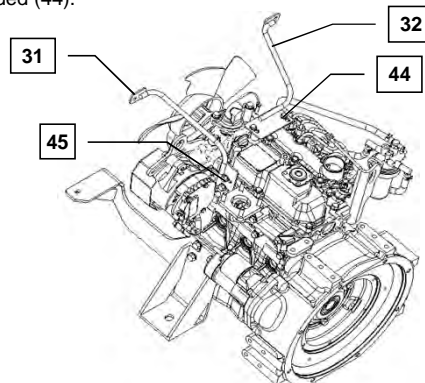
1. Fasten the intake and exhaust side lower radiator support brackets (34,35) to the front engine mounting pads with M10 X 1.5 - 20mm bolts (40) according to the picture.



2. Fasten each engine foot (39) to the front engine mounting pad with the M10 X 1.5 - 25mm bolts provided (41).



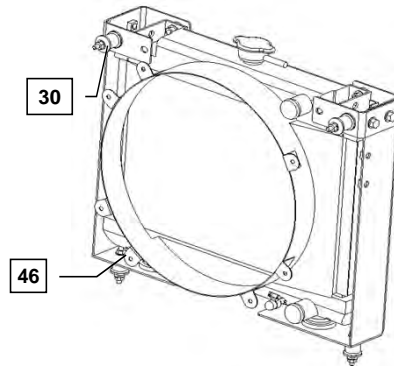
3. Fasten the exhaust side upper support bracket (31) to the exhaust side of the cylinder head with the M8 X 1.25 - 12mm bolts provided (45). Fasten the intake side upper support bracket (32) to the top face of the intake manifold with the M8 X 1.25 - 16mm bolts provided (44).



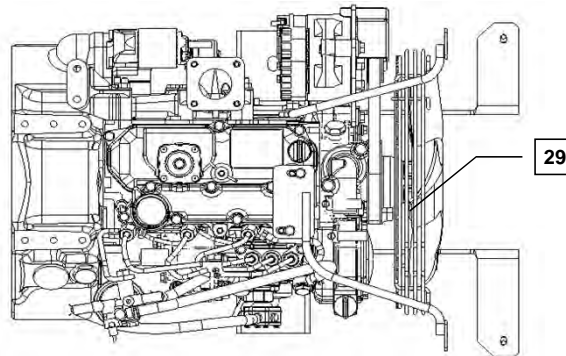


YANMAR CO., LTD.
YANMAR AMERICA CORP.

4. Fasten the isolator mounts (30) to the all four mounting locations on the radiator assembly (3) with the M6 X 1.0mm nuts provided (46).



5. Remove the fan guard (29) from the radiator assembly and place it around the cooling fan.

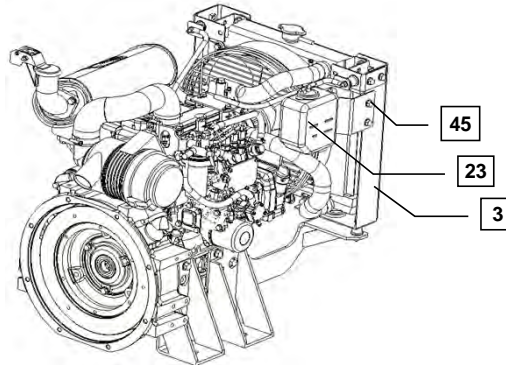


6. Install the pre-assembled radiator (3) to the lower radiator mounting brackets using the rubber isolators and M6 x 1.00mm nuts (46) provided with the radiator kit.
7. Mount the fan guard (29) to the radiator sub-assembly (3) using M6 X 1.0 - 16mm bolts provided (43).
8. Fasten the upper support brackets (31,32) to the upper rubber isolators (30) with the M6 X 1.0mm nuts (46).
9. Attach the top radiator hose (36) to the inlet of the radiator (3) and the outlet of the water pump with hose clamps (42). Attach the bottom radiator hose (37) to the outlet of radiator and the inlet of water pump with hose clamps (42).

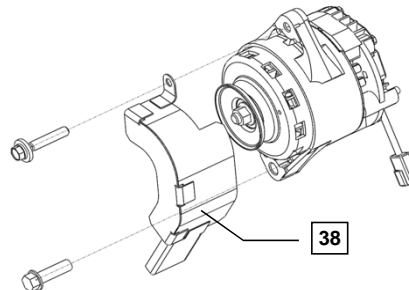


YANMAR CO., LTD.
YANMAR AMERICA CORP.

10. Mount overflow bottle assembly (23) to the side of the radiator (3) using M8 X 1.25 - 12mm bolts (45). Attach the overflow hose to the inlet of the overflow bottle and the top of radiator using hose clamps included with the overflow bottle



11. Option: To add the alternator cover (38) remove the existing alternator fasteners and add the cover according to the image on page 2.



12. Tighten all remaining bolts and nuts according to specification in Table 1.
13. Add antifreeze, using a 50:50 mixture, into the Radiator. After running the engine for a few minutes, add more antifreeze mixture if necessary.

NOTE: Comply with torque standards in the table to avoid unexpected damage during installation or in the future.

TABLE 1:

Diameter x Pitch	Kgf-m	Foot-lbf	N-m
1/4 X 20	0.9 ~ 1.1	6.3 ~ 8.3	8.5 ~ 11.3
M5 X 0.8	0.7 ~ 0.9	4.8 ~ 6.3	6.5 ~ 8.5
M6 x 1.00	1.0 ~1.2	7.2 ~ 8.6	9.8 ~11.8
M8 x 1.25	1.5 ~ 2.9	10.6 ~ 20.9	14.4 ~ 28.3
M10 x 1.50	4.5 ~ 5.5	32.5 ~ 39.8	44.0 ~ 54.0
1/2 X 13	7.9 ~ 10.1	57 ~ 73	77.3 ~ 98.9