



Supplement to Yanmar Kit Installation Instructions

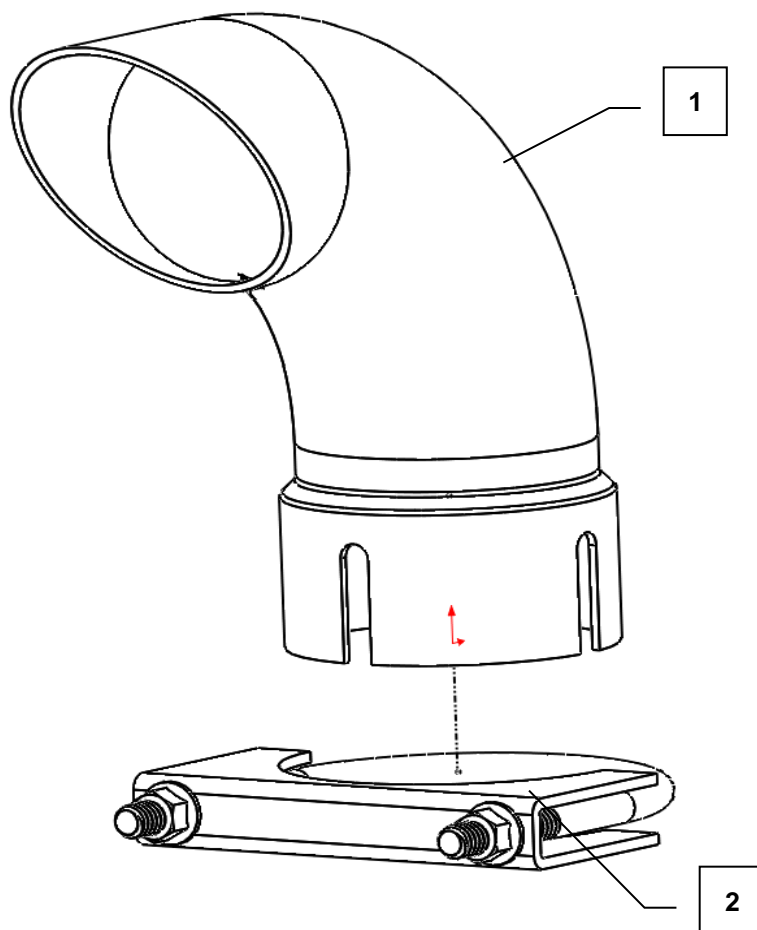
SAFETY

This product is designed and intended only for use with a YANMAR engine. All safety and warning information contained in the Yanmar Operation Manual and Service Manual is adopted and incorporated to apply to the components, accessories, and parts that are utilized with Yanmar engines. Follow all instructions and precautions before installing this product, before operating, during operation, and during periodic maintenance procedures for your safety, the safety of others, and to protect the performance of your engine.



YANMAR CO., LTD.
YANMAR AMERICA CORP.

Item	Part No.	Description	Quantity	Remarks
1	129689-13670	Pipe, Exhaust	1	
2	129689-13680	Clamp	1	



- MODELS**
- 4TNV88C-DSA
 - 4TNV88C-DYEM
 - 4TNV86CT-GGE
 - 4TNV98C-NSA
 - 4TNV98C-GGE
 - 4TNV98CT-GGE
 - 4TNV98C-NYEM



Installation Instructions

WARNING: DO NOT INSTALL KIT WHILE THE ENGINE IS STILL HOT!

Hand tighten all bolts and nuts until assembly is completed, then torque according to specifications in Table 1.

1. Slide Clamp (2) around Exhaust Pipe (1) end without tightening nuts.
2. Slide Clamp (2) and Exhaust Pipe (1) Assembly onto Exhaust Silencer Outlet. Torque bolts on Clamp (2) to specifications mentioned in Table 1.

Table 1: Proper torque specifications for bolts and nuts.

Description	Kgf-m	Foot-lbf	N-m
5/16"-18 Nut	~0.86	~6.25	~8.47