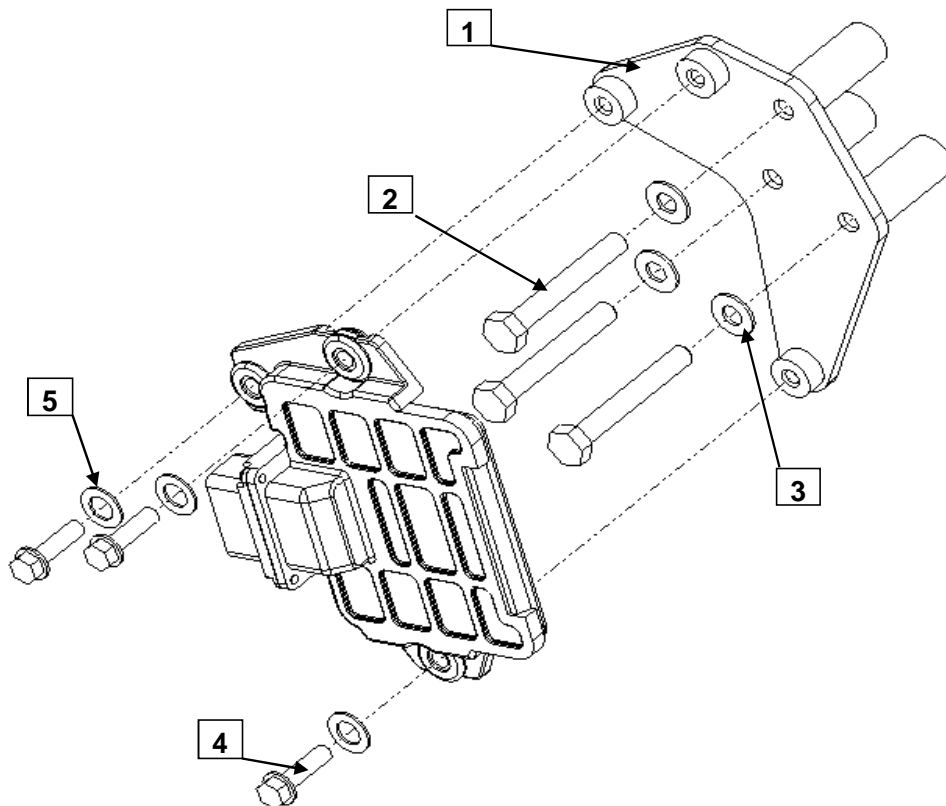




YANMAR CO., LTD.
YANMAR AMERICA CORP.

Item	Part No.	Description	Quantity
1	129987-08000	Bracket, ECU	1
2	26106-100752	Bolt, M10x1.5-75 (Flanged Hex Head)	3
3	22137-100000	Washer, M10 (Plain)	3
4	26106-080302	Bolt, M8x1.25-30 (Flanged Hex Head)	3
5	22137-080000	Washer, M8 (Plain)	3



MODELS

3TNV84T-Z
3TNV88-Z
4TNV84T-Z
4TNV88-Z
4TNV98-Z
4TNV98T-Z



Installation Instructions

NOTE: Kit #KECUB1A can be installed with or without the kit foot. This kit is intended to mount below the starter to the mounting pad for the kit foot.

Step #1 Installation of the ECU Bracket-

Hand tighten all three M 10 x 1.5 - 75 ECU Bracket Mounting Bolts (2) with Washers (3) until assembly is completed, then torque according to specifications in Table 1.

Step #2 Installation of the ECU-

Hand tighten all three M8 x 1.25 - 30 ECM Mounting Bolts (4) with Washers (5) until assembly is completed, then torque according to specifications in Table 1.

NOTE: Comply with torque standards in the table to avoid unexpected damage during installation or in the future.

Table 1: Standard Nut and Bolt Tightening Torque			
Diameter x Pitch	Kgf-m	Foot-lbf	N-m
M8 x 1.25	1.5 ~ 2.9	10.6 ~ 20.9	14.4 ~ 28.3
M10 x 1.50	4.5 ~ 5.5	32.5 ~ 39.8	44.0 ~ 54.0
M12 x 1.75	8.0 ~ 10.0	57.8 ~ 72.3	78.4 ~ 98.0