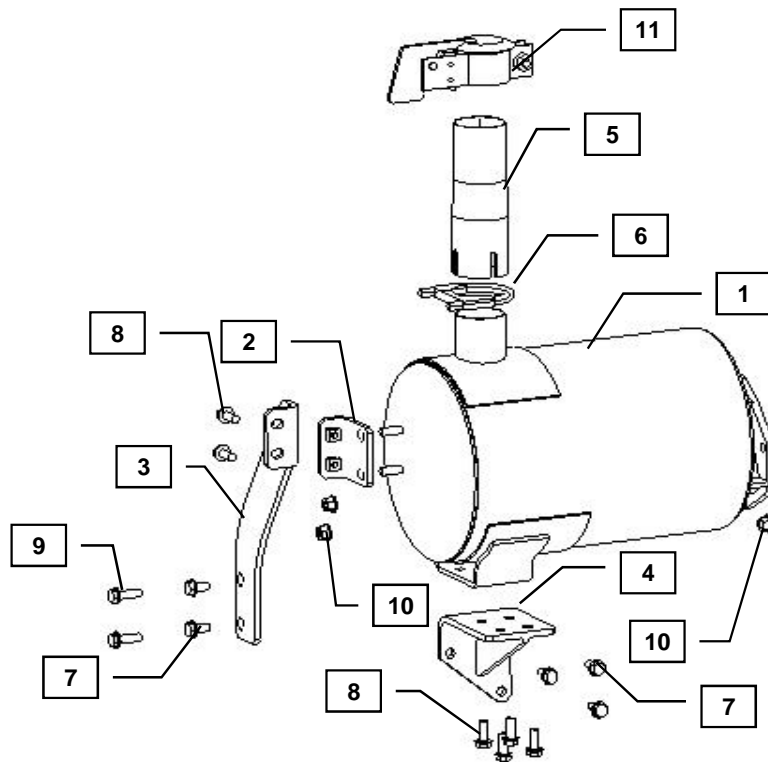


Kit Name: KM7



YANMAR CO., LTD.
YANMAR AMERICA CORP.

Item	Part No.	Description	Quantity	Remarks
--	729989-13110	Muffler Kit	1	
1	129935-13500	Muffler	1	
2	129935-13630	Stay, Head	1	
3	129935-13620	Stay, Head	1	
4	129935-13600	Bracket, Muffler	1	
5	129989-13510	Extension Pipe	1	
6	129087-13540	Clamp, Extension Pipe	1	
7	26106-080162	Bolt, M8 x 1.25 - 16 (Flanged hex head)	5	
8	26106-080202	Bolt, M8 x 1.25 - 20 (Flanged hex head)	6	
9	26106-080252	Bolt, M8 x 1.25 - 25 (Flanged hex head)	2	
10	26306-080002	Nut, M8 x 1.25 (Flanged hex head)	6	
11	129087-13530	Rain Cap	1	



MODELS
4TNV98T

Notes: Parts code is not assigned to non-serviceable component parts.

Remarks:



Installation Instructions

WARNING: DO NOT INSTALL THE KIT WHILE THE ENGINE IS STILL HOT

Hand tighten all bolts and nuts until the assembly is completed, then torque to the specifications in Table 1 below.

1. Place the exhaust gasket included with the engine on the turbo charger flange studs.
2. Assemble all brackets onto the muffler loosely
3. Place muffler on engine and secure brackets to corresponding locations on the engine, use torque specifications in table 1.
4. Tighten all bolts and nuts to torque specifications in Table 1 below.

Table 1: Proper torque specifications for bolts and nuts.

Diameter x Pitch	Kgf-m	Foot-lbf	N-m
M8 x 1.25	1.5 ~ 2.9	10.6 ~ 20.9	14.4 ~ 28.3