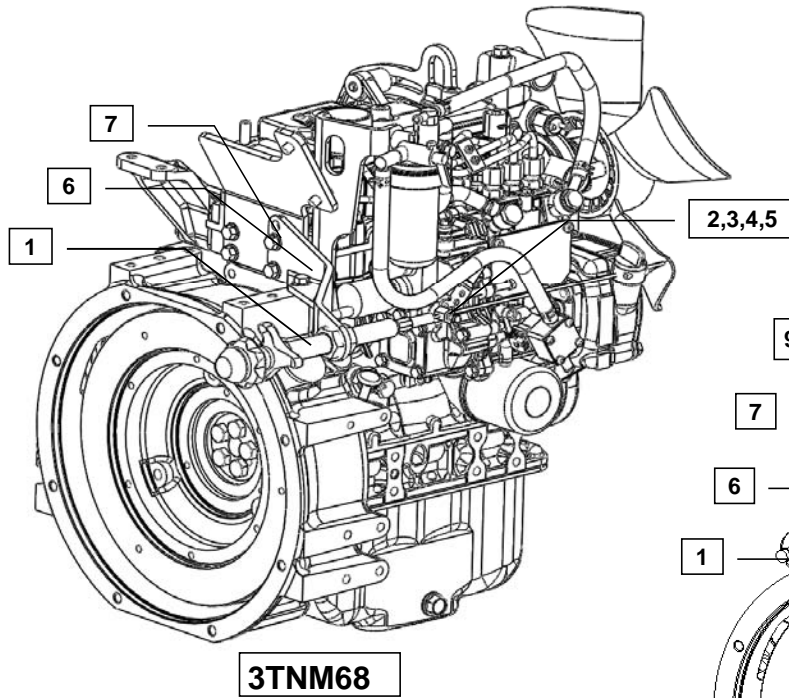


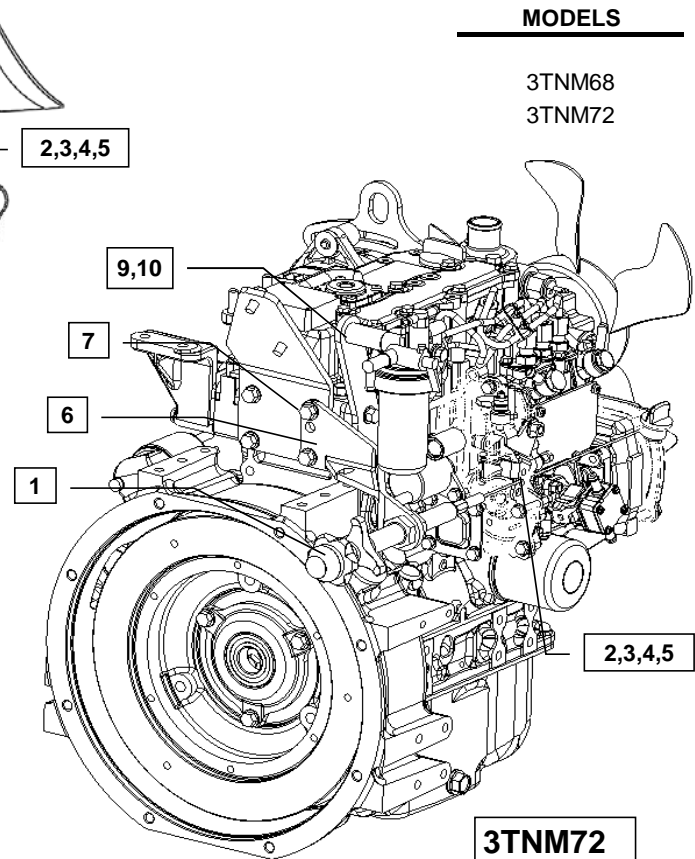


YANMAR CO., LTD.  
YANMAR AMERICA CORP.

Item	Part No.	Description	Quantity	Remarks
1	129087-66061	Cable, Throttle (Vernier)	1	
2	124756-67510	Retainer, Throttle Cable	1	
3	22272-000070	E-clip	1	
4	26116-040128	Bolt, M4x0.7-12	1	
5	26716-040002	Nut, M4x0.7	1	
6	119749-91161	Bracket, Throttle Cable	1	
7	26106-080252	Bolt, M8x1.25-25 (Flanged Hex Head)	3	
8	22137-080000	Washer, M8	4	
9	119749-08000	Bracket, Fuel Filter	1	
10	119749-08010	Spacer, Fuel Filter	1	
11	26106-080552	Bolt, M8x1.25-55 (Flanged Hex Head)	1	



**3TNM68**



**3TNM72**



## Installation Instructions

Hand tighten all bolts and nuts until assembly is completed, then torque according to specifications in Table 1. The numbers in ( ) below reference the item numbers on page 1.

### **Throttle control bracket assembly:**

#### **3TNM68:**

- 1a. Remove two bolts from the rear fuel injection side of the cylinder head. Place the Throttle Cable Bracket (6) into position as noted in the figure above. Hand tighten the M8 x 1.25 - 25 Bolts (7). Torque the bolts according to the specifications in Table 1.

NOTE: The 3TNM68 models will utilize the lower and middle bolt holes on the speed control bracket.

#### **3TNM72:**

- 1b. Remove the existing fuel filter assembly and bracket. Install the provided Fuel Filter Bracket and Spacer (9,10). Reinstall the fuel filter.
- 2b. Remove two bolts from the rear fuel injection side of the cylinder head. Place the Throttle Cable Bracket (6) into position as noted in the figure above. Hand tighten the M8 x 1.25 - 25 bolts (7). Torque the bolts according to the specifications in Table 1.

NOTE: The 3TNM72 models will utilize the lower and upper bolt holes on the Speed Control Bracket.

### **Throttle cable assembly:**

3. Remove the wire from the conduit and cut the conduit to the appropriate length. Reinstall the wire into the conduit.
4. Insert the speed control assembly wire in the retainer (2), and make sure the speed control knob is all the way down.
5. Insert the retainer (2) to the lower hole of the Throttle Control Lever, and insert the E-clip (3) to the groove closer to the retainer body. Tighten the M4 x 0.7 - 12 Bolt (4) and M4 Lock Nut (5) enough to secure the throttle cable. After tightening, make sure the Throttle Control Lever is up against the idle stop adjustment screw.
6. The wire should extend at least 10 mm past the Cable Retainer. Cut off the excess wire.
7. Tighten all remaining nuts and bolts per the tightening torque stated in Table 1.

NOTE: Comply with torque standards in the table to avoid unexpected damage during installation or in the future.

**Table 1: Tightening Torque**

Diameter x Pitch	Kgf-m	Foot-lbf	N-m
M8 x 1.25	1.5 ~ 2.9	10.6 ~ 20.9	14.4 ~ 28.3
M10 x 1.50	4.5 ~ 5.5	32.5 ~ 39.8	44.0 ~ 54.0
M12 x 1.75	8.0 ~ 10.0	57.8 ~ 72.3	78.4 ~ 98.0